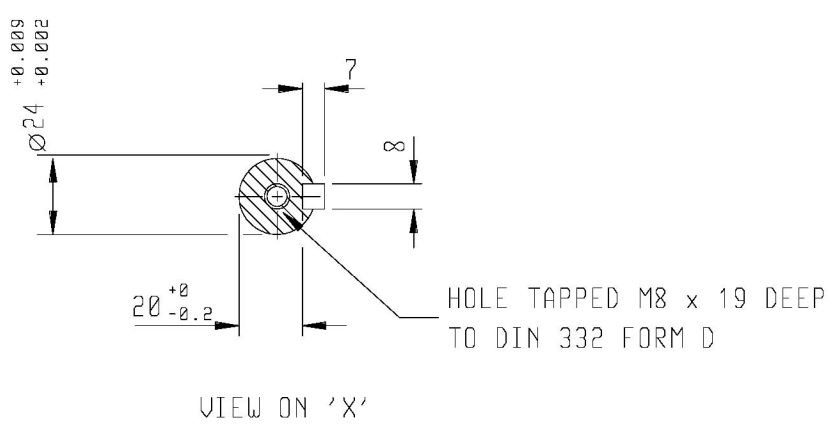
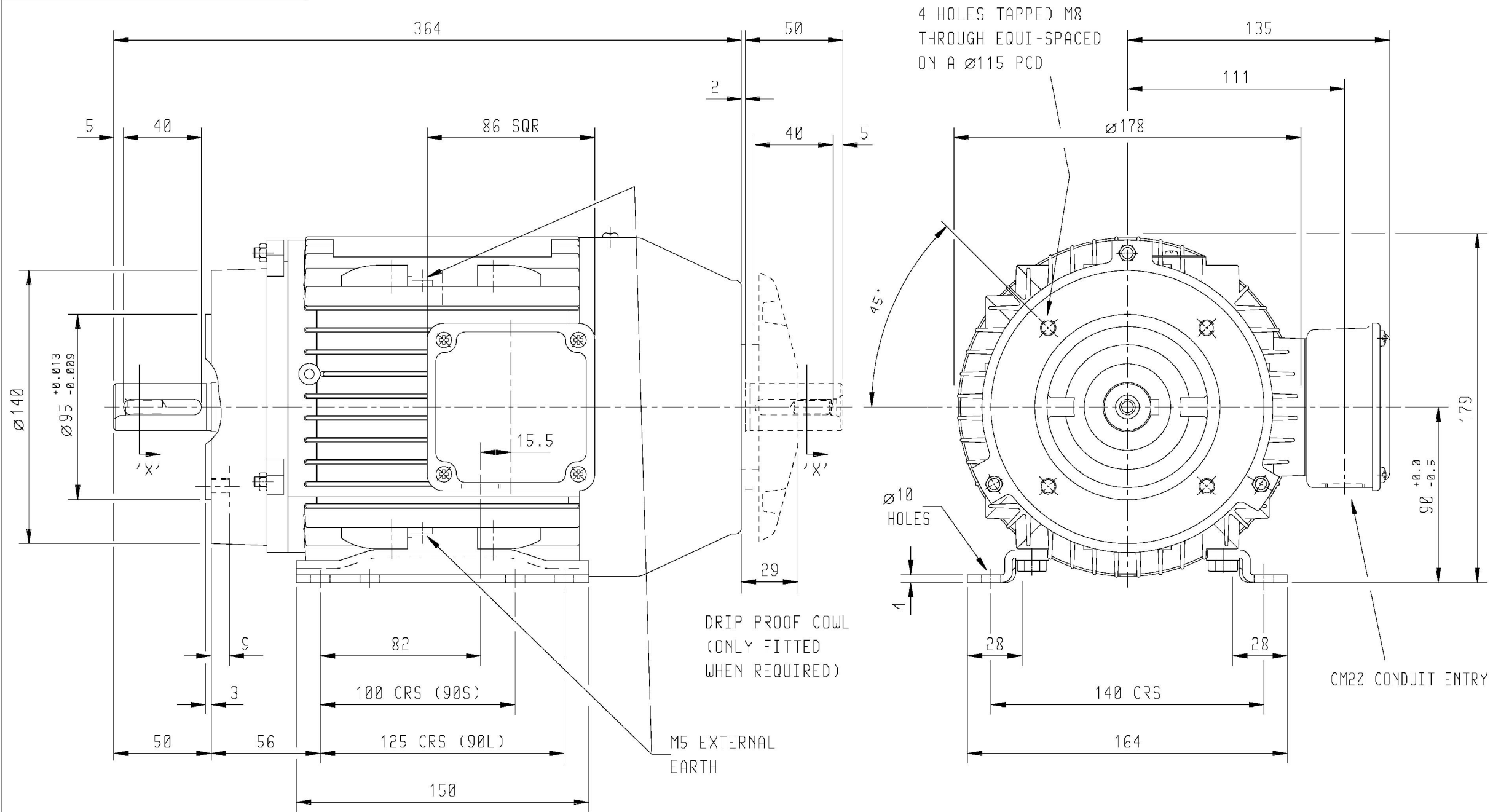


DRG. No.
 DRG. REF.

CUSTOMER		
ORDER No.		
PART No.		
OUR ORDER No.		
FRAME SIZE		
KW.	RPM.	
Hz	PHASE	
VOLTS	POLES	
BRGS.	DE.	NDE.
MOTOR NETT WT.		Kg.
SPECIAL REMARKS		



TERMINAL BOX POSITION:- CAN BE ARRANGED AT EITHER 9,12 OR 3 O'CLOCK BY MOVING FEET
 STANDARD TERMINAL BOX POSITION IS 3 O'CLOCK AS SHOWN.
 CONDUIT ENTRIES:- TERMINAL BOX CAN BE ROTATED AT 90° INTERVALS
 (CONDUIT ENTRY POSITION SHOWN FOR ILLUSTRATION ONLY).
 NOTE: CARE SHOULD BE TAKEN TO ENSURE THAT SCREWS OR STUDS DO NOT
 EXTEND INSIDE THE MOTOR BEYOND THE DEPTH OF THE THREAD FIXING HOLE

ALL DIMENSIONS IN MILLIMETRES.
 FIRST ANGLE PROJECTION

BROOK CROMPTON

SHEET SIZE A3	TITLE	NAME	DATE
	OUTLINE DIMENSION DRAWING W ALUMINIUM TOTALLY ENCLOSED FAN COOLED 90S/L FRAME FOOT AND 'C' FACE MOUNTED MOTOR		
	SCALE	1:2.5	

DRG. No.
DRG. REF.
REVISION:
DATE